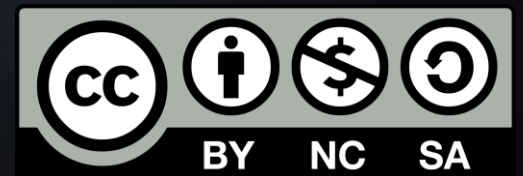


DOMÓTICA PARA MAKERS

APRENDIENDO ELECTRÓNICA, LINUX, DISEÑO E IMPRESIÓN 3D Y PROGRAMACIÓN PARA AUTOMATIZAR NUESTRAS CASAS... (Y QUIZÁ ALGUNAS COSAS MÁS)

MIGUEL ÁNGEL CASANOVA GONZÁLEZ

@MiguelACasanova





Home Assistant

ARS Home by Arsaboo NEXT DEMO

Welcome home! You've reached the Home Assistant demo where we showcase the best UIs created by our community.

LEARN MORE ABOUT HOME ASSISTANT

EDIT

Lights

- Kitchen lights
- Living Room Lights
- Porch Lights
- Garage lights
- Show Chromecast interface

EDIT

Temperature Study

22°C

20.0 - 24.0 Auto - Away

Upstairs

EDIT

Family Room

easy rider: THE BYRDS

I Wasn't Born To Fo The Byrds

EDIT

Information

Morning Commute	37 min
Commute to Home	41 min
PlexSpy	0 Watching
USDINR	71.25 INR

EDIT

Security

ARM HOME ARM AWAY

EDIT

Entertainment

- Harmony YouTube
- Activity YouTube
- HDMI Switcher Shield
- HDMI Input InputHdmi4
- Volume
- Total TV Time
- Turn Television off EXECUTE

first steps



 **KIT Raspberry PI with Home assistant installed.**

 **Charger**  **Box holder**  **Zigbee module**

 **Micro SD 32GB**  **Raspberry PI3B**  **Home assistant**

 **Server Domotica.**

Example configuration entry

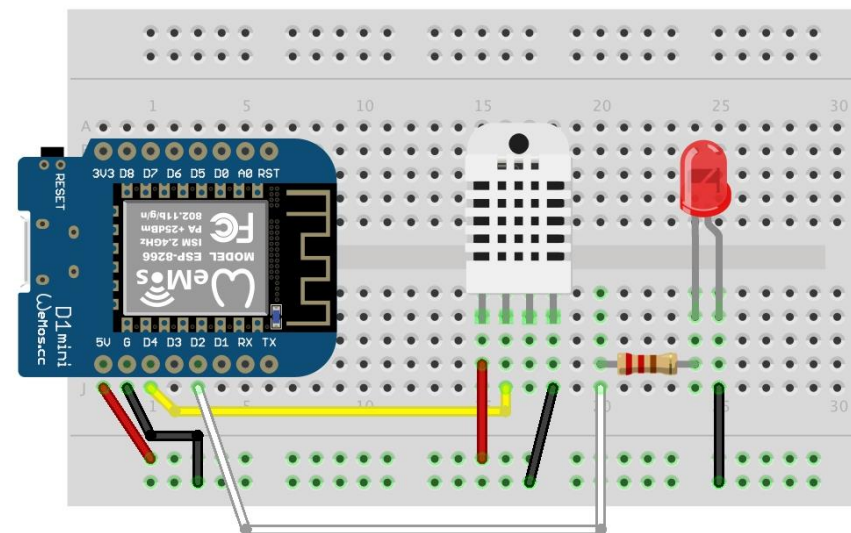
uart:

```
rx_pin: D0
tx_pin: D1
baud_rate: 9600
```

sensor:

```
- platform: mhz19
  name: "MH-Z19 CO2 Value"
  temperature:
    name: "MH-Z19 Temperature"
  update_interval: 60s
  automatic_baseline_calibration: false
```

Objet Connecté : ESP8266+DHT22+MQTT+Home-Assistant



<http://www.projetsdiy.fr>